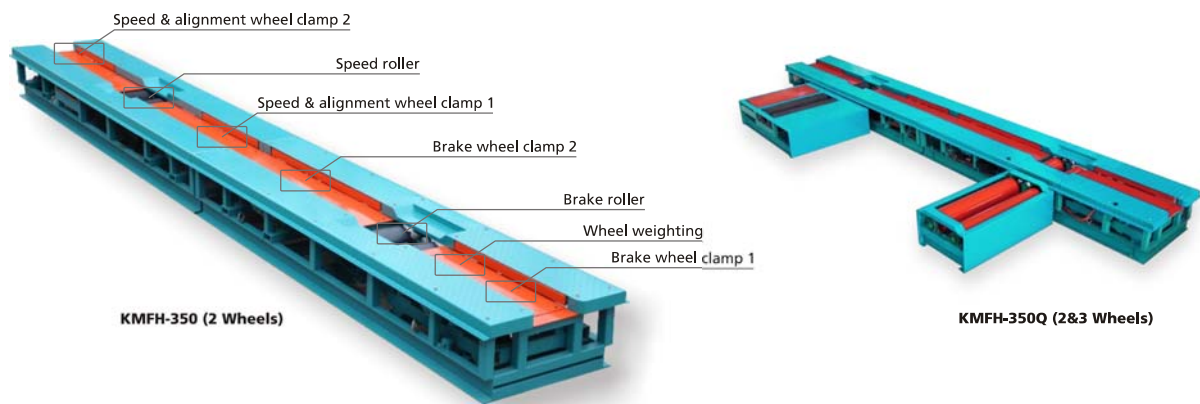


2&3 Wheels Motorcycle Tester

Description

Motorcycle Tester is specially designed to inspect the brake performance and axle-load value of Motorcycle. Combined with the Wheel clamp Speedometer & Wheel Alignment (optional) . It is advanced equipment for Motorcycle Safety Technical Inspection Center, and it is also largely used in Motorcycle repairing industry.



Features

- ▶ Automatic&pneumatic clamps control process for smooth and safe operation.
- ▶ High adhesion coating paint for longer working life.
- ▶ High precision sensor and high roundness of roller ensures the exactitude of result.
- ▶ Standard RS-232 connection port.

Technical data

Item	KMFH-350 (2 Wheels)	KMFH-350Q (2&3 Wheels)
Max. wheel weight	350kg	750 kg
Measuring rang	0-350 kg	0-750 kg
Brake force	0-3000 N	0-3000 N
Measurement speed	0-80 km/h	0-80 km/h
Brake motor power	1.5 kW	2 × 1.5 kW
Speed motor power	4 kW	4 kW
Motor type	Variable speed	Variable speed
Equipment dimensions	6170 × 820 × 385 mm	6170 × 1800 × 385 mm
Equipment weight	1250 kg	1850 kg
Air supply	0.5-0.6 MPa	0.5-0.6 MPa
Power supply	AC 380V, 50Hz, ground	AC 380V, 50Hz, ground